

Diasep

AIR SEPARATORS FOR CENTRALISED HEATING SYSTEMS

USE

Diasep air separators have their specific use in air elimination centralised heating systems.

MODELS

Diameters connections: 1" - 1"1/4 - 1"1/2 - 2" threaded
65 - 80 - 100 - 125 - 150 - 200 flanged

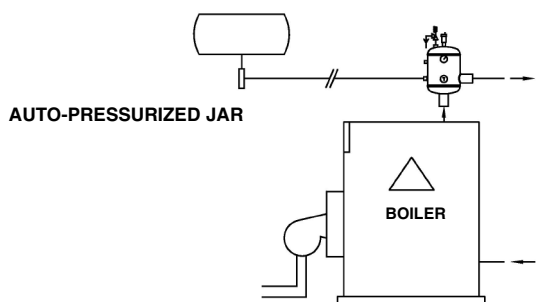
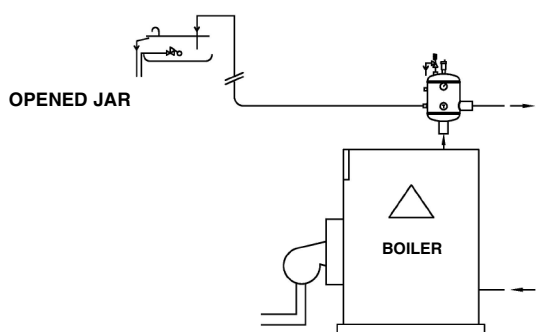
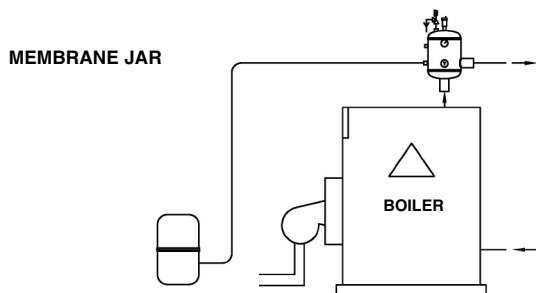
All models offer for the installation:

- safety valve connection (two for separator \varnothing 4")
- air blowdown connection
- manometer connection
- interception of fuel connection
- jar of expansion connection

TECHNICAL FEATURES

Maximum temperature of the fluid: 90 °C
Maximum pressure of the fluid: 5 bar

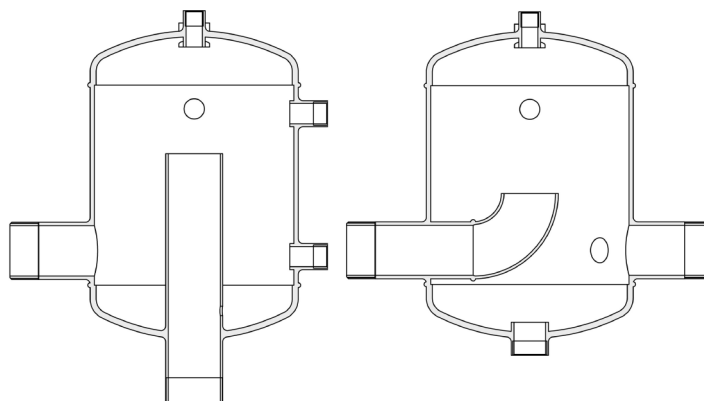
APPLICATION EXAMPLES



Air separators of bigger dimensions can be made with draw with quotation on request.

SQUARE CONNECTIONS

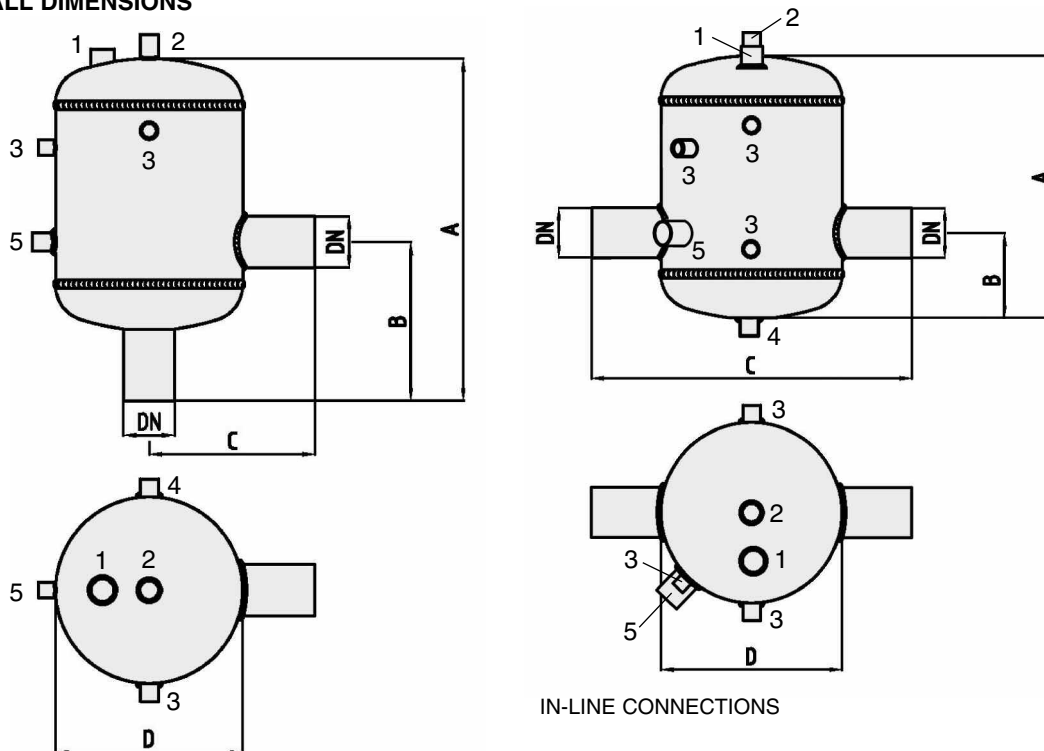
IN-LINE CONNECTIONS



Diasep

AIR SEPARATORS FOR CENTRALISED HEATING SYSTEMS

OVERALL DIMENSIONS



SQUARE CONNECTIONS

SQUARE CONNECTIONS

MODEL	DN	A	B	C	D	1	2	3	4	5
S001	1"	227	100	104	114	1/2"	3/8"	1/2"	1/2"	3/4"
S114	1 1/4"	283	126	129	140	1/2"	3/8"	1/2"	1/2"	3/4"
S112	1 1/2"	316	142	151	168	1/2"	3/8"	1/2"	1/2"	3/4"
S002	2"	401	175	194	219	3/4"	3/8"	1/2"	1/2"	3/4"
S212	DN 65	486	206	244	273	1"	3/8"	1/2"	1/2"	3/4"
S003	DN 80	561	234	286	324	1 1/4"	3/8"	1/2"	1/2"	1"
S004	DN 100	750	288	363	406	2x1 1/4"	3/8"	1/2"	1/2"	1 1/4"
S005	DN 125	841	395	445	500	3x1 1/4"	3/4"	1/2"	1/2"	2"
S006	DN 150	988	467	535	600	4x1 1/4"	1"	1/2"	1/2"	2"
S008	DN 200	1243	588	655	700	6x1 1/4"	1"	1/2"	1/2"	3"

IN-LINE CONNECTIONS

MODEL	DN	A	B	C	D	1	2	3	4	5
SL001	1"	184	57	208	114	1/2"	3/8"	1/2"	1/2"	3/4"
SL114	1 1/4"	223	66	258	140	1/2"	3/8"	1/2"	1/2"	3/4"
SL112	1 1/2"	243	69	302	168	1/2"	3/8"	1/2"	1/2"	3/4"
SL002	2"	314	88	388	219	3/4"	3/8"	1/2"	1/2"	3/4"
SL212	DN 65	378	98	488	273	1"	3/8"	1/2"	1/2"	3/4"
SL003	DN 80	434	107	572	324	1 1/4"	3/8"	1/2"	1/2"	1"
SL004	DN 100	635	173	726	406	2x1 1/4"	3/8"	1/2"	1/2"	1 1/4"
SL005	DN 125	648	202	890	500	3x1 1/4"	3/4"	1/2"	1/2"	2"
SL006	DN 150	756	235	1070	600	4x1 1/4"	1"	1/2"	1/2"	2"
SL008	DN 200	936	281	1310	700	6x1 1/4"	1"	1/2"	1/2"	2"

INDICATIVE FLOW RATE*

Ø	m³/h
1"	2
1 1/4"	3.5
1 1/2"	4.5
2"	7.5
2 1/2"	13
3"	18
4"	30
5"	50
6"	70
8"	140

* FLOW PRESSURE LOSS OF 100 daPa

ALWAYS UPDATED DATASHEETS ARE AVAILABLE ON OUR WEB-SITE www.comparato.com

Comparato Nello S.r.l. has the right of modifying in any moment and without any notice technical sheets, drawings, diagrams, pictures included in this technical data sheet.



HYDROTHERMIC SYSTEMS
COMPARATO NELLO SRL

OFFICES: 17043 CARCARE (SV) ITALY VIA G.C. ABBA, 30 • Tel. +39 019 510.371 - FAX +39 019 517.102

• FACTORY: LOC. PRADONNE N° 19

www.comparato.com

e-mail: info@comparato.com

QUALITY SYSTEMS CERTIFIED UNI EN ISO 9001: 2000